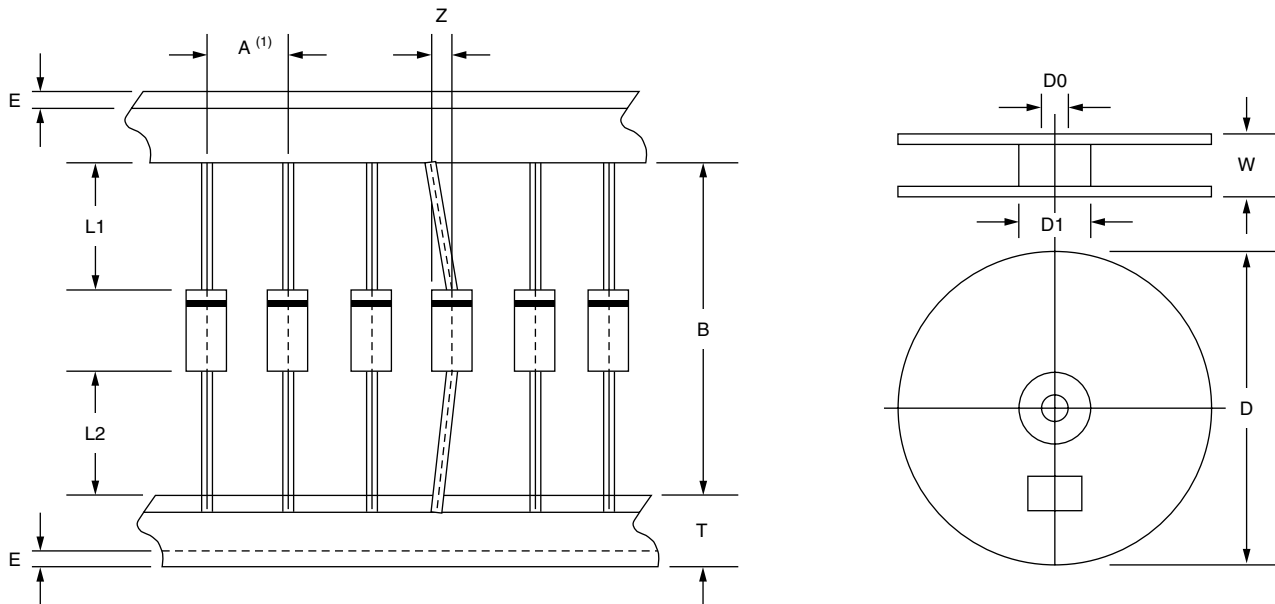


Schottky Axial < 4 A for DO-201AD (C-16)

Axial devices are packed in accordance with EIA standard RS-296-D and specification.

COMPONENT OUTLINE	COMPONENT PITCH A ± 0.5 mm (0.020")	INNER TAPE PITCH B ± 1.5 mm (0.059")	CUMULATIVE PITCH TOLERANCE	QUANTITY PER REEL	QUANTITY PER CARTON
DO-201AD	10.0 mm	52.4 mm	2.0 mm/10 pitch	1200	4800



ITEM	SYMBOL	SPECIFICATIONS (mm)	SPECIFICATIONS (INCHES)
Component alignment	Z	1.2 maximum	0.048 maximum
Tape width	T	6.0 ± 0.4	0.236 ± 0.016
Exposed adhesive	E	0.8 maximum	0.032 maximum
Body eccentricity	L1-L2	1.0 maximum	0.040 maximum
Reel outside diameter	D	330.0	13.0
Reel inner diameter	D1	85.7 ± 0.3	3.375 ± 0.012
Feed hole diameter	D0	16.6 ± 0.4	0.655 ± 0.016
Reel width ⁽²⁾	W	79.0 ± 1.0	3.110 ± 0.040

Notes

(1) Each component lead shall be sandwiched between tapes for a minimum of 3.2 mm (0.126")

(2) The reel width "W" for 26 mm taping is 50.0 ± 1.0 mm (1.97" ± 0.040")